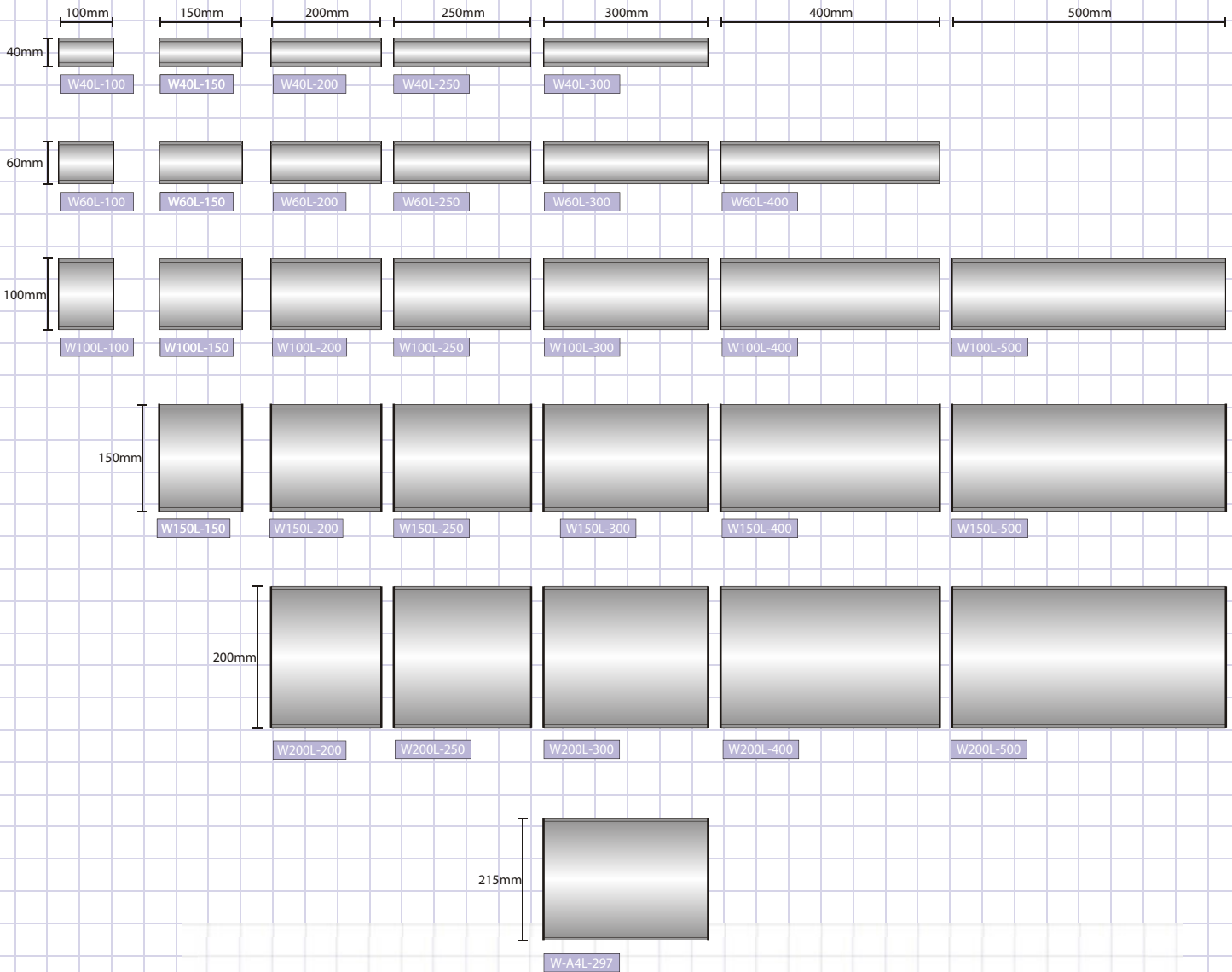


Wall mounted (Landscape)

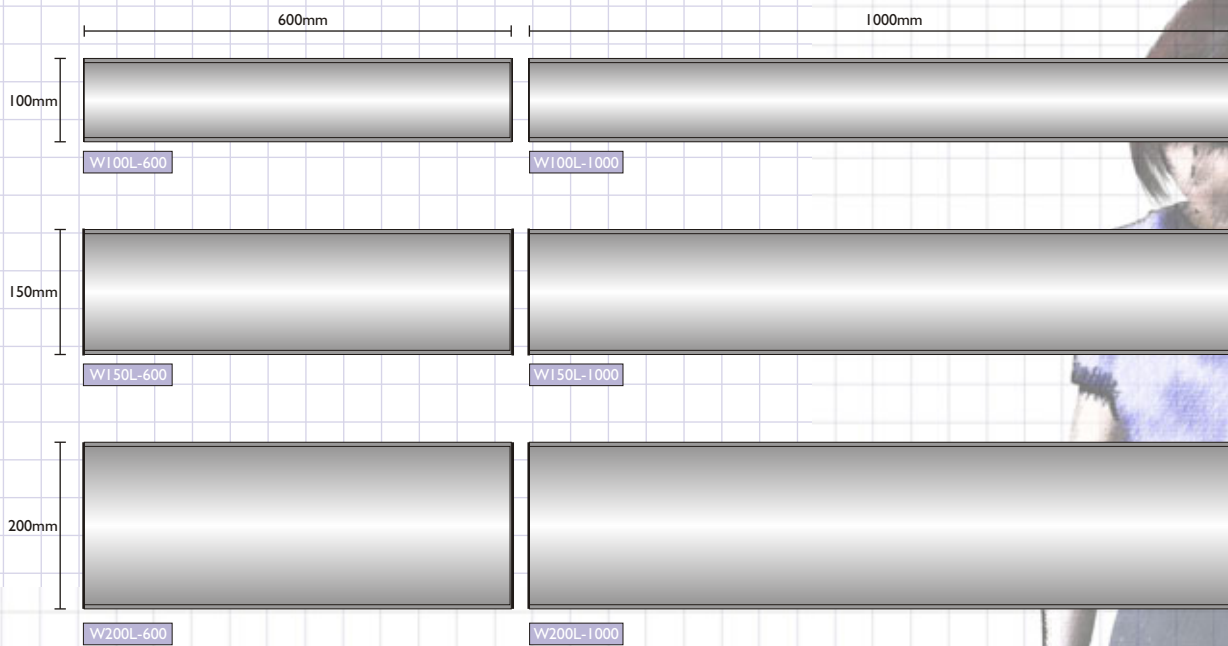


IMAGE DISPLAY



For Quotes and Info email us at:
sales@imagedisplay.co.uk
www.imagedisplay.co.uk

Wall mounted (Landscape)



The signs on these pages accept a one-piece clear cover which has an anti-glare finish on one side to reduce reflection. This cover can be reversed if required.

All signs accept digital images, vinyl text or screen printed inserts.

Signs in the W60 to W300 range are supplied with plastic end caps (black). Metal end caps are available for these ranges at additional cost.

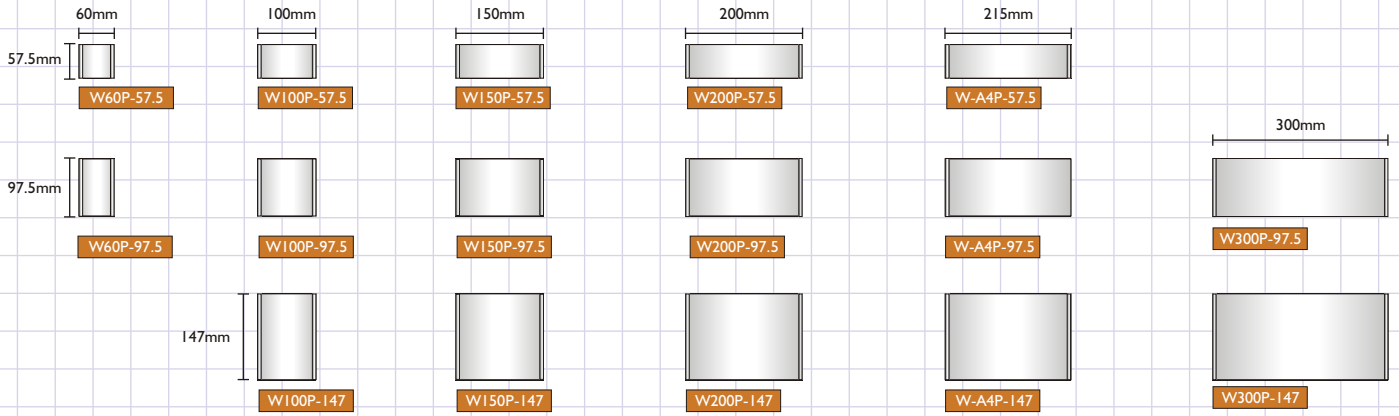
The W400 & W600 range include metal end caps as standard.

Standard finish for all signs - clear anodised aluminium.
Standard finish on wall brackets - black powder coated

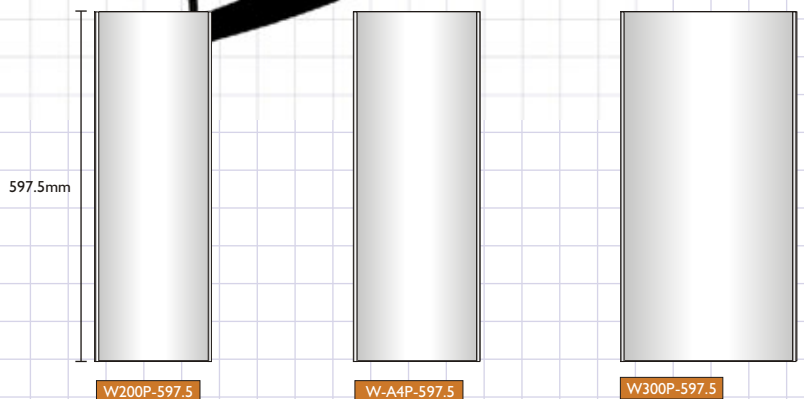
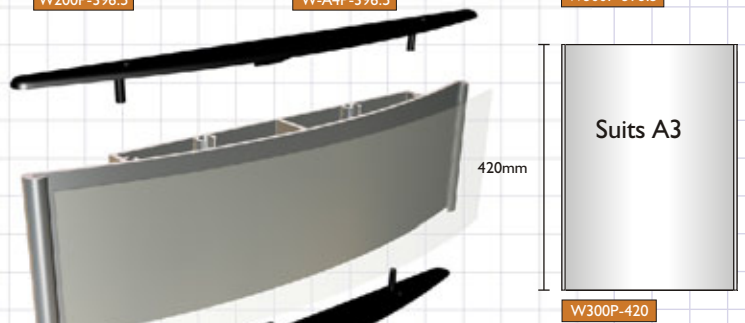
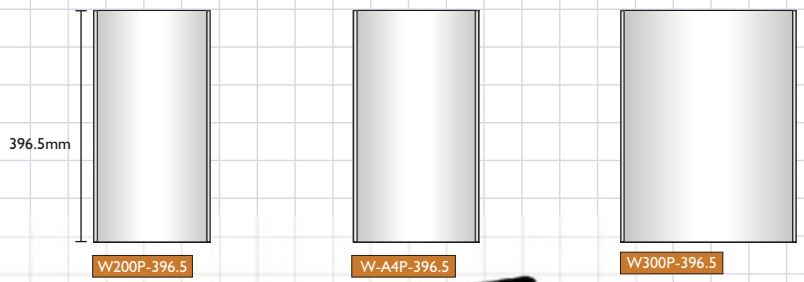
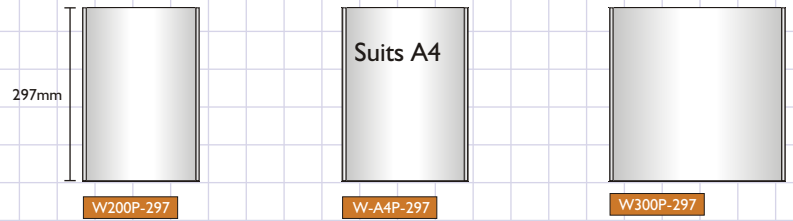
Bespoke sizes available.



Wall mounted (Portrait)



Legend



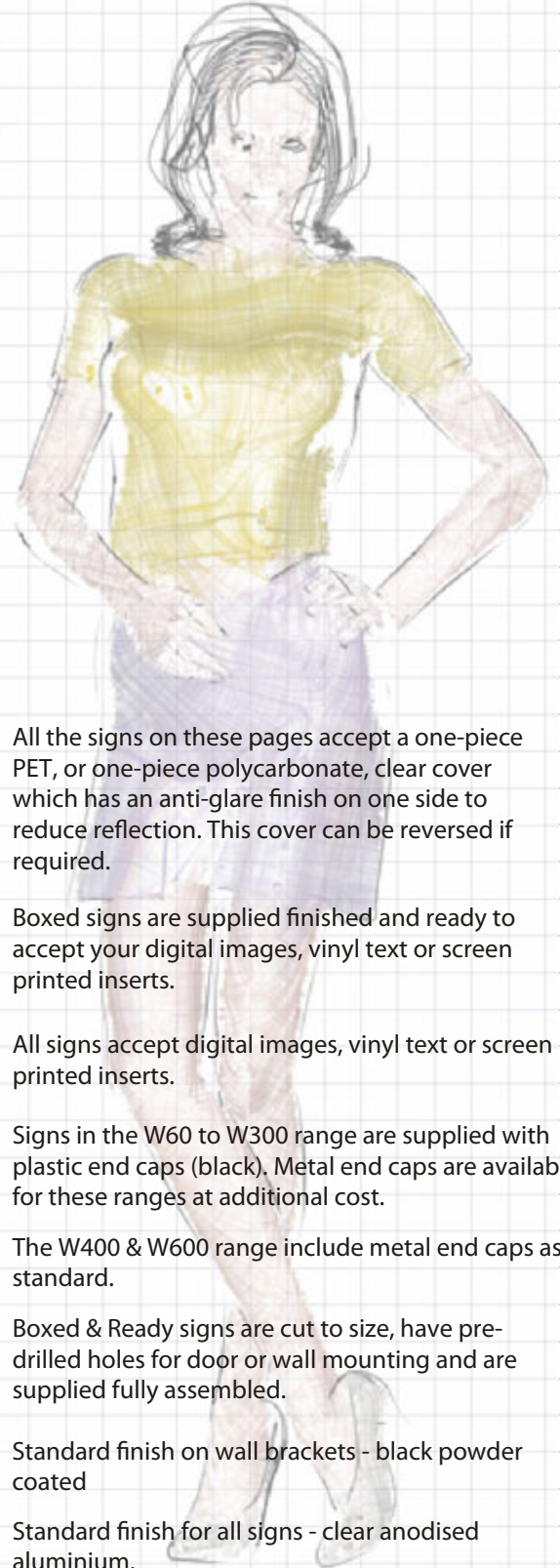
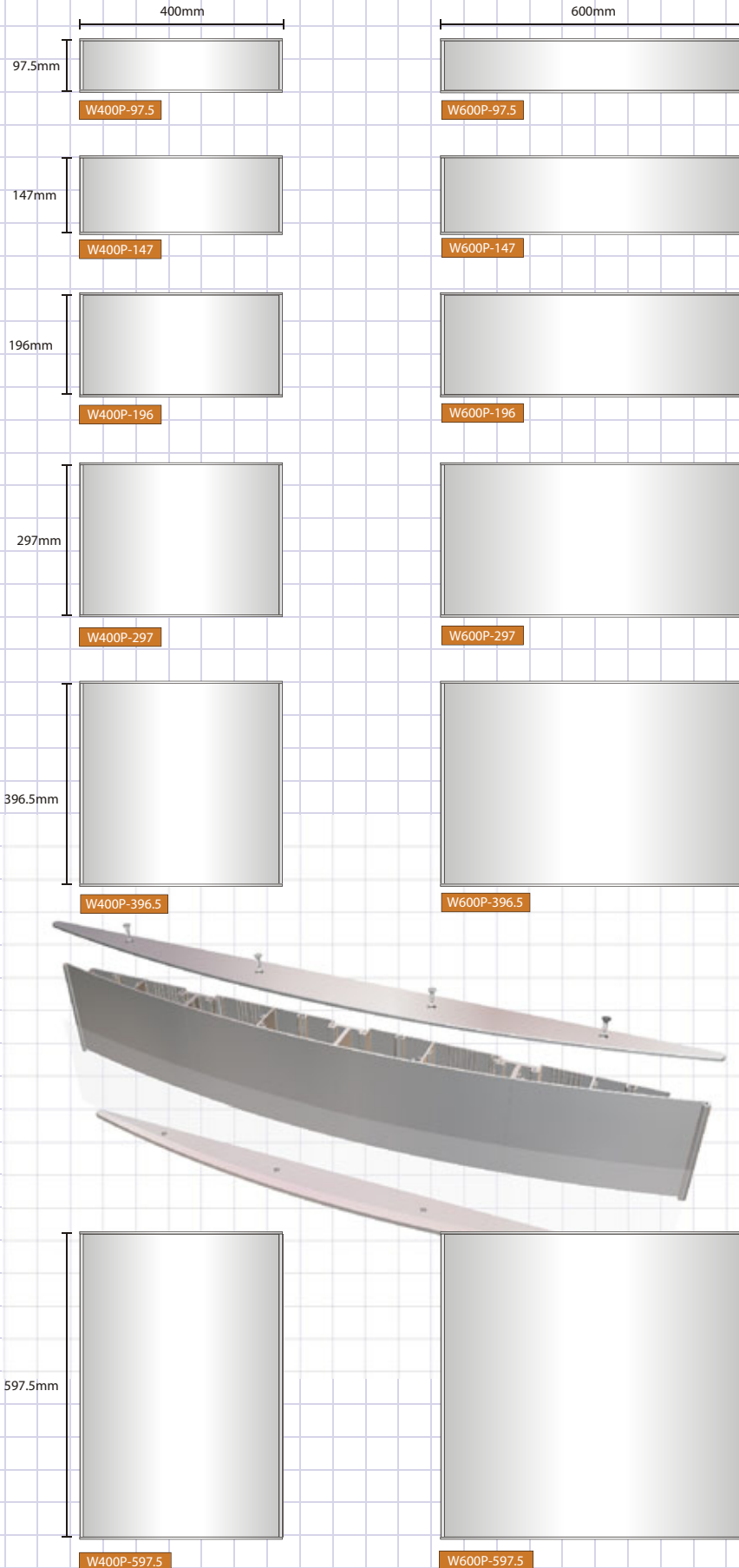
Prices exclude carriage and V.A.T



Wall mounted (Portrait)

IMAGE DISPLAY

For Quotes and Info email us at:
sales@imagedisplay.co.uk
www.imagedisplay.co.uk



All the signs on these pages accept a one-piece PET, or one-piece polycarbonate, clear cover which has an anti-glare finish on one side to reduce reflection. This cover can be reversed if required.

Boxed signs are supplied finished and ready to accept your digital images, vinyl text or screen printed inserts.

All signs accept digital images, vinyl text or screen printed inserts.

Signs in the W60 to W300 range are supplied with plastic end caps (black). Metal end caps are available for these ranges at additional cost.

The W400 & W600 range include metal end caps as standard.

Boxed & Ready signs are cut to size, have pre-drilled holes for door or wall mounting and are supplied fully assembled.

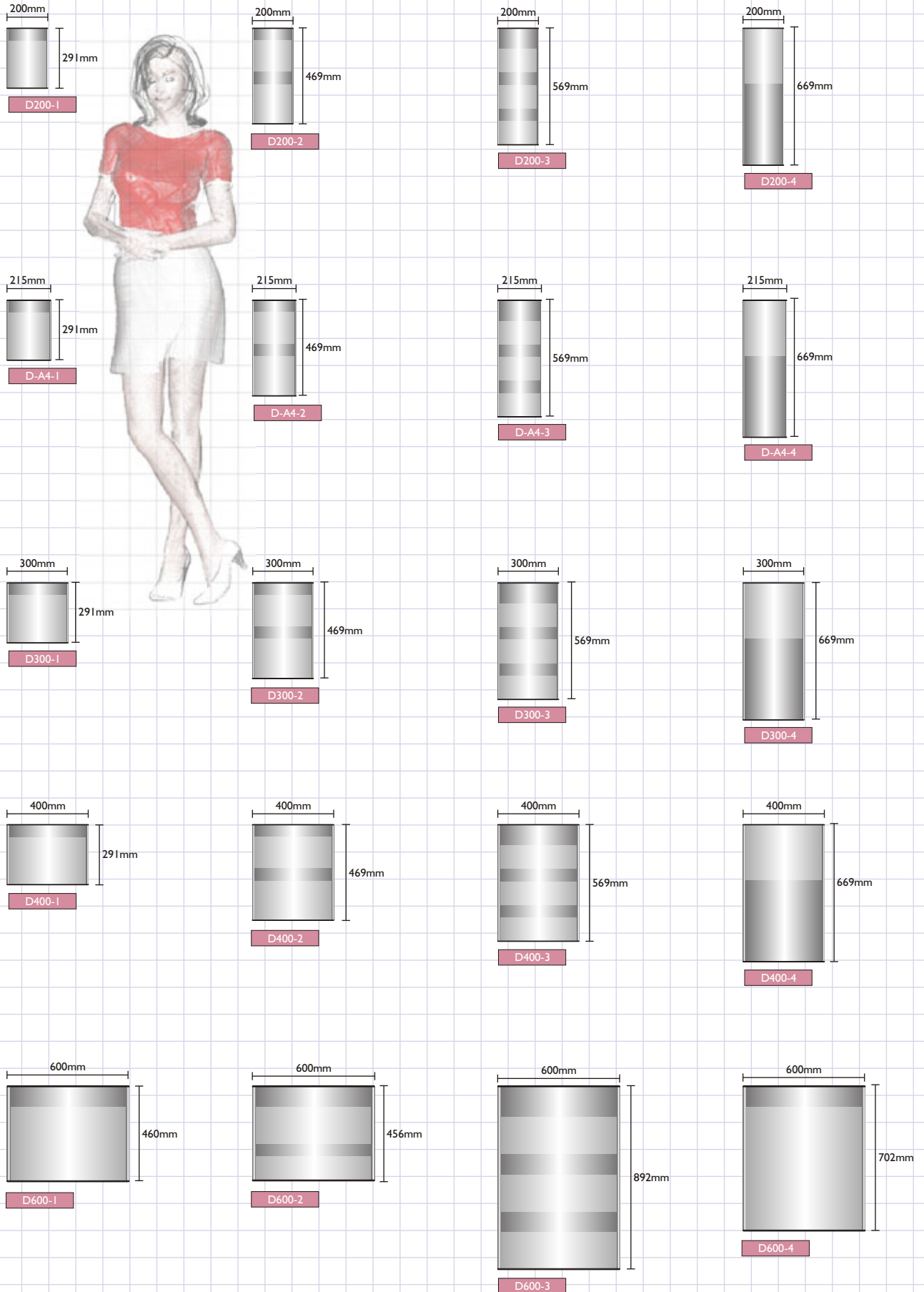
Standard finish on wall brackets - black powder coated

Standard finish for all signs - clear anodised aluminium.

Bespoke sizes available.

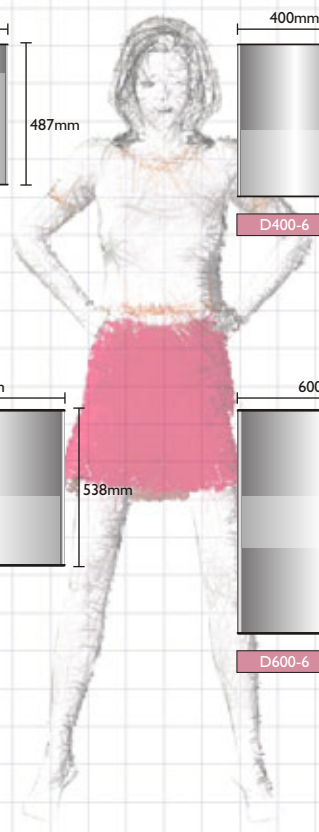
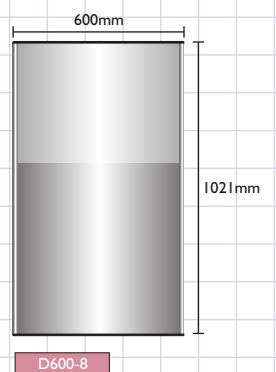
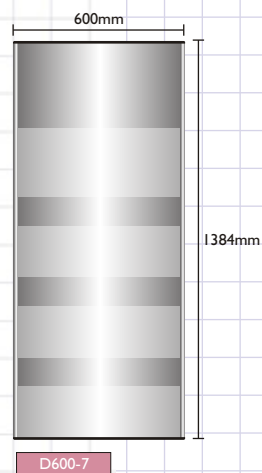
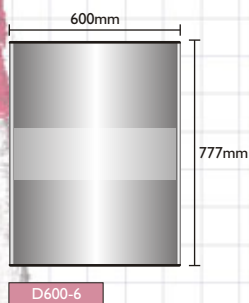
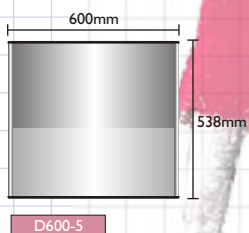
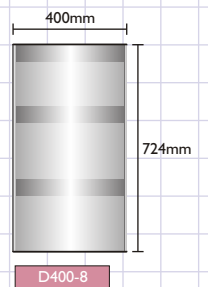
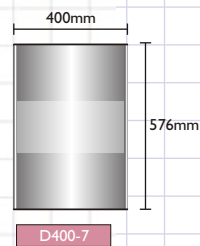
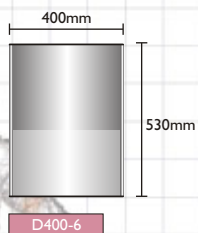
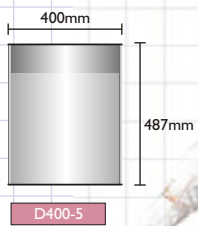
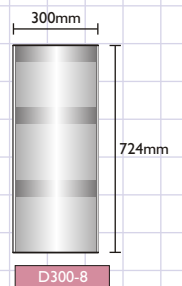
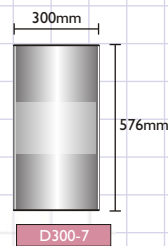
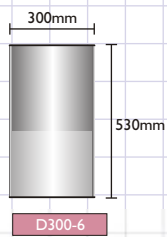
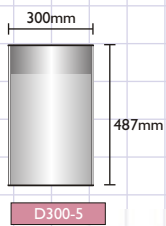
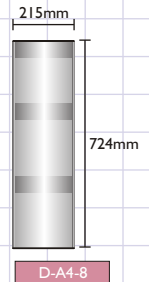
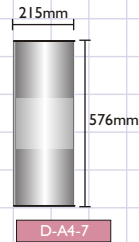
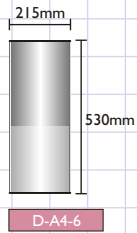
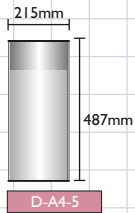
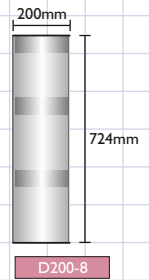
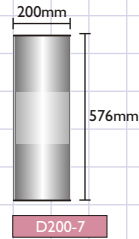
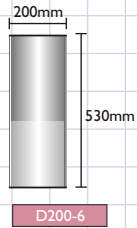
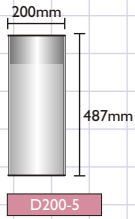
Directories - Overview

FOR DETAILED DIMENSIONS AND SPECIFICATIONS
SEE PRODUCT PAGES D200 - D600



See product pages D200 -D600 for more details.

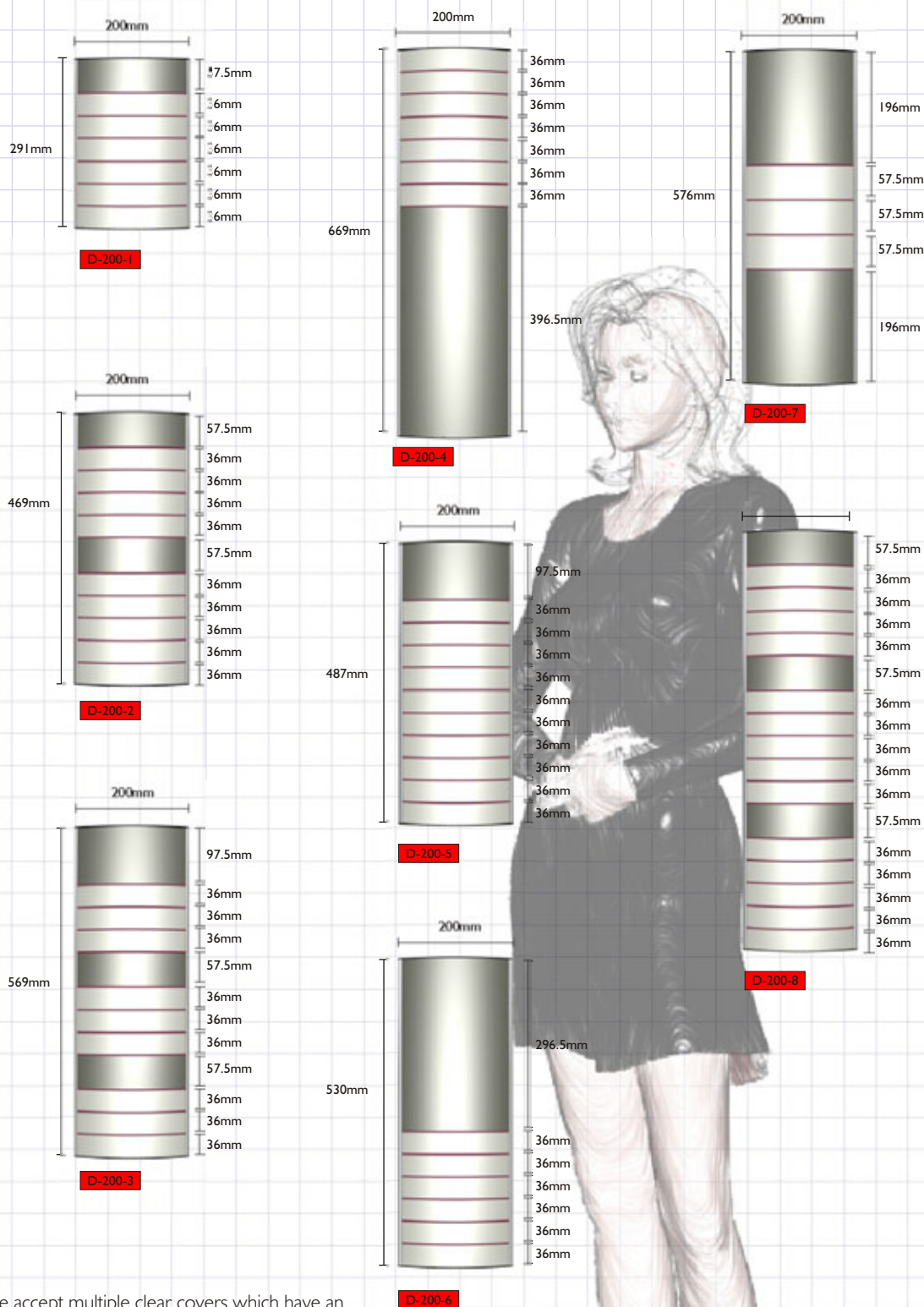
Directories - Overview



Directories



Example illustrated.
D300-I.



All the signs on this page accept multiple clear covers which have an anti-glare finish on one side to reduce reflection. These covers can be reversed if required.

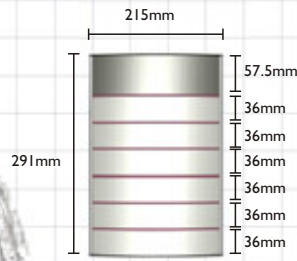
All signs accept digital images, vinyl text or screen printed inserts.

D200 directories are supplied as standard with plastic end caps (black). Metal end caps are available at additional cost.

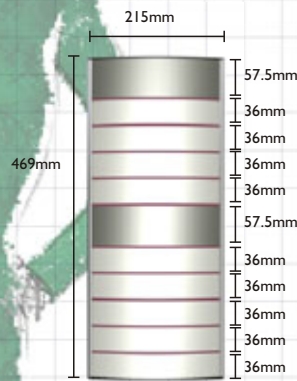
Standard finish for all signs - clear anodised aluminium.

Bespoke sizes available.

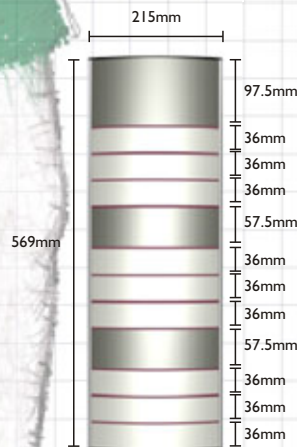
D-A4



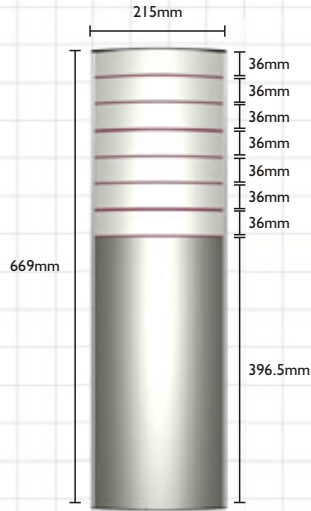
D-A4-1



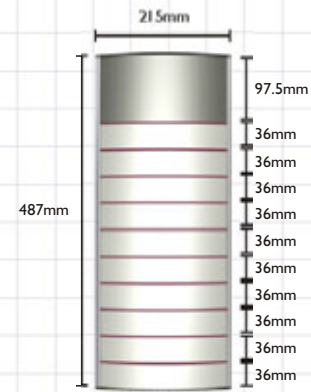
D-A4-2



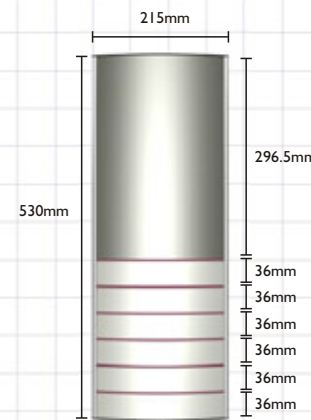
D-A4-3



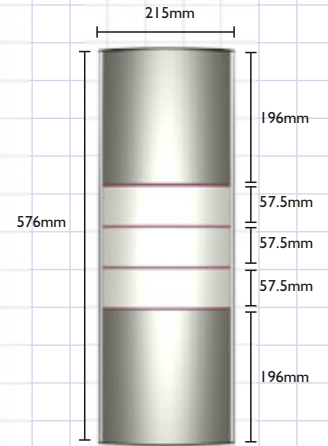
D-A4-4



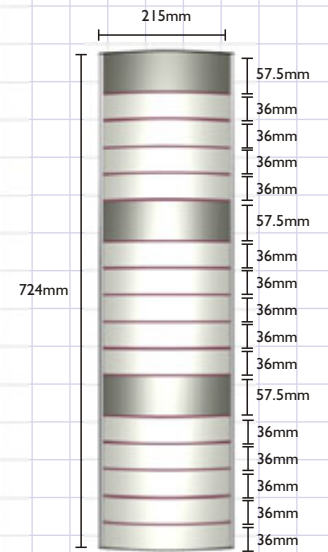
D-A4-5



D-A4-6



D-A4-7



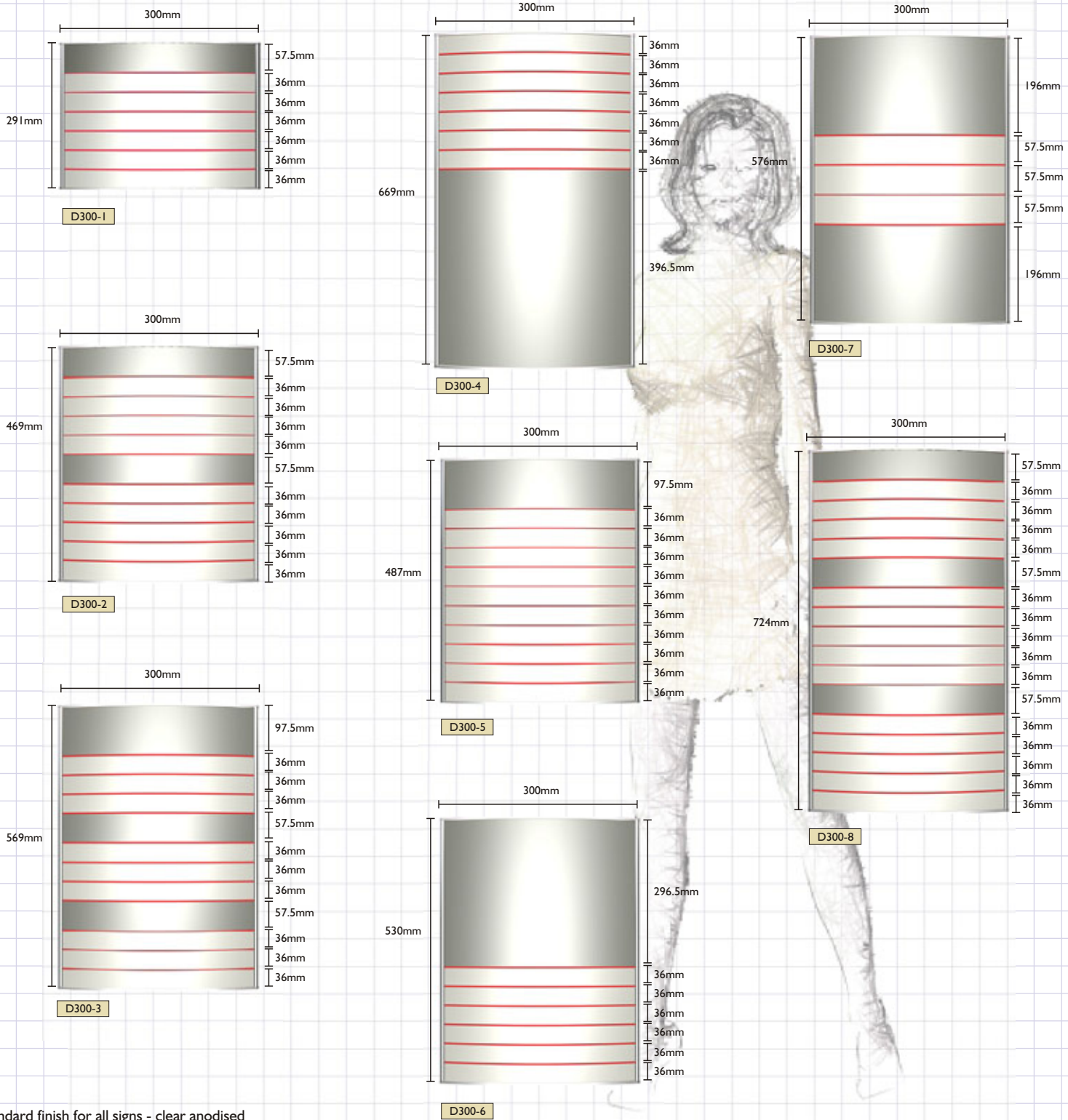
D-A4-8

All the signs on these pages accept multiple clear covers, which have an anti-glare finish on one side to reduce reflection. These covers can be reversed if required.

All signs accept digital images, vinyl text or screen printed inserts.

D-A4 & D300 signs are supplied with plastic end caps (black). Metal end caps are available for these ranges at additional cost.

D300

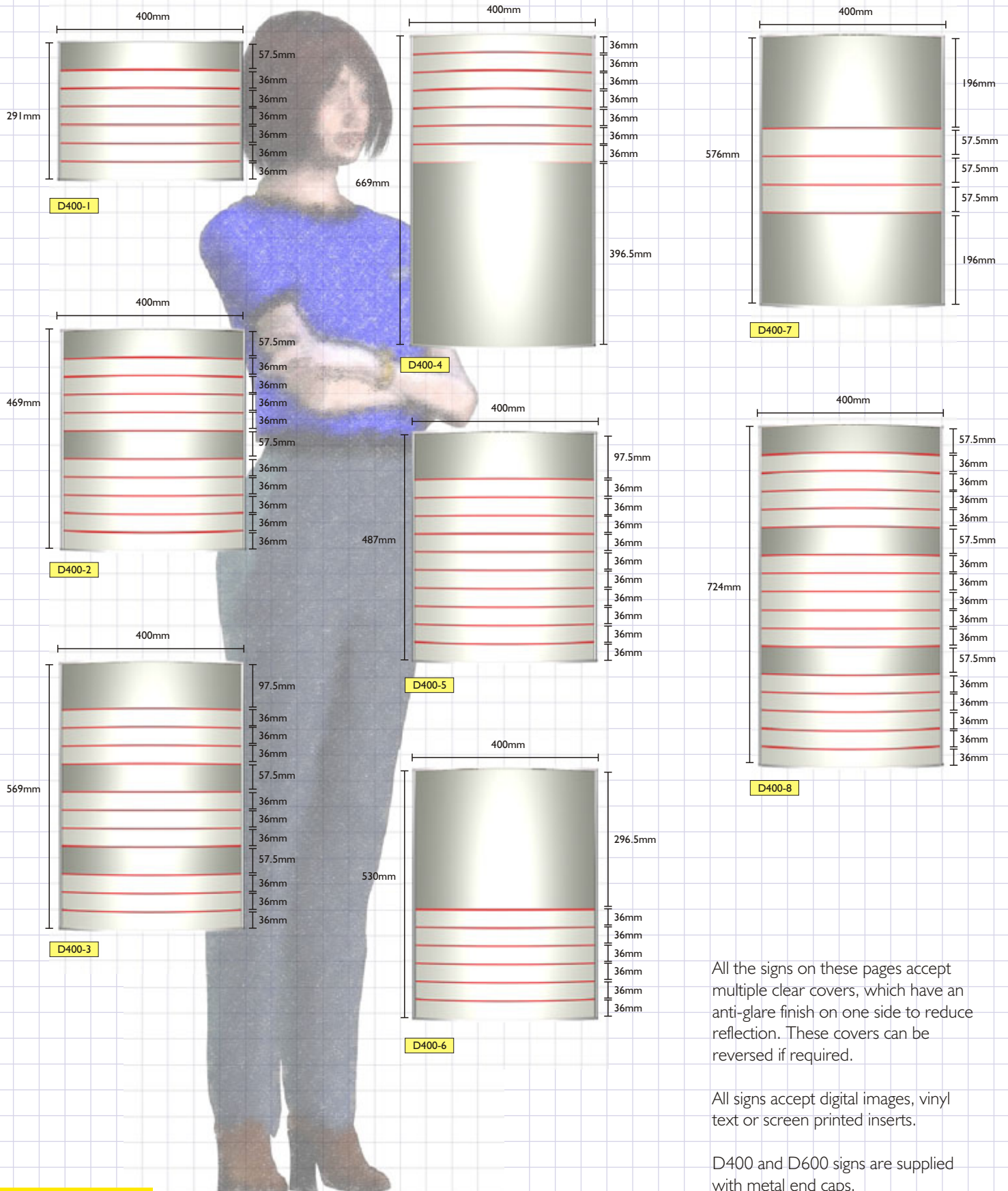


Standard finish for all signs - clear anodised aluminium.

Divider Strip - standard colour - Black
 Other colours available at no extra cost:
 Blue, Grey, Red, Yellow (Please specify when ordering.)

Bespoke sizes available.

D400

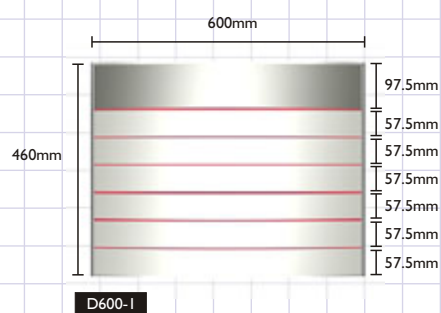


All the signs on these pages accept multiple clear covers, which have an anti-glare finish on one side to reduce reflection. These covers can be reversed if required.

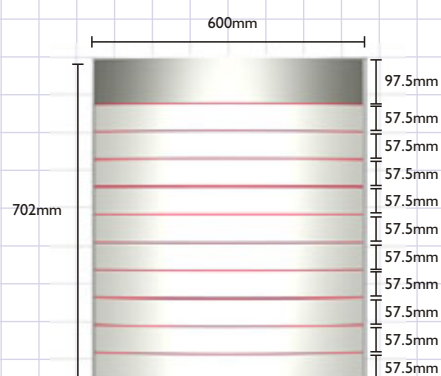
All signs accept digital images, vinyl text or screen printed inserts.

D400 and D600 signs are supplied with metal end caps.

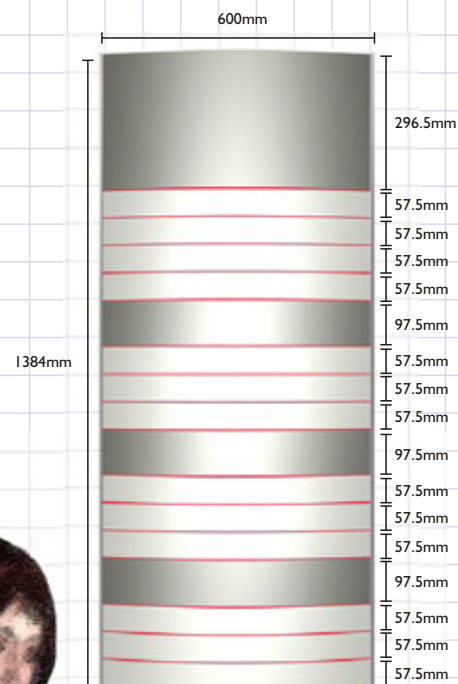
D600



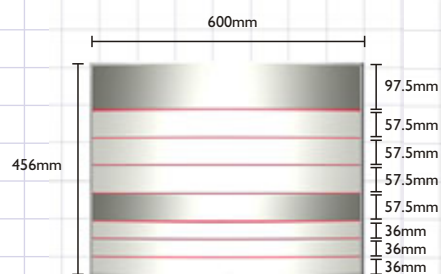
D600-1



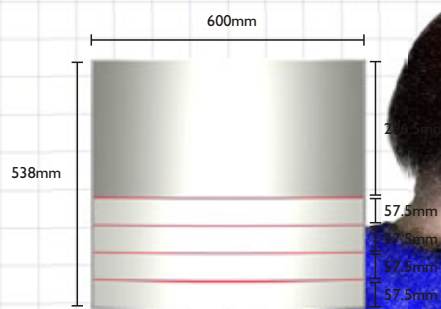
D600-4



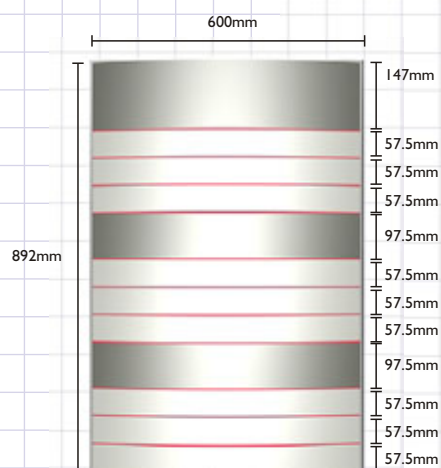
D600-7



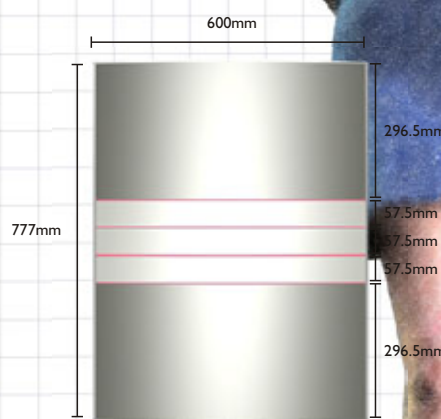
D600-2



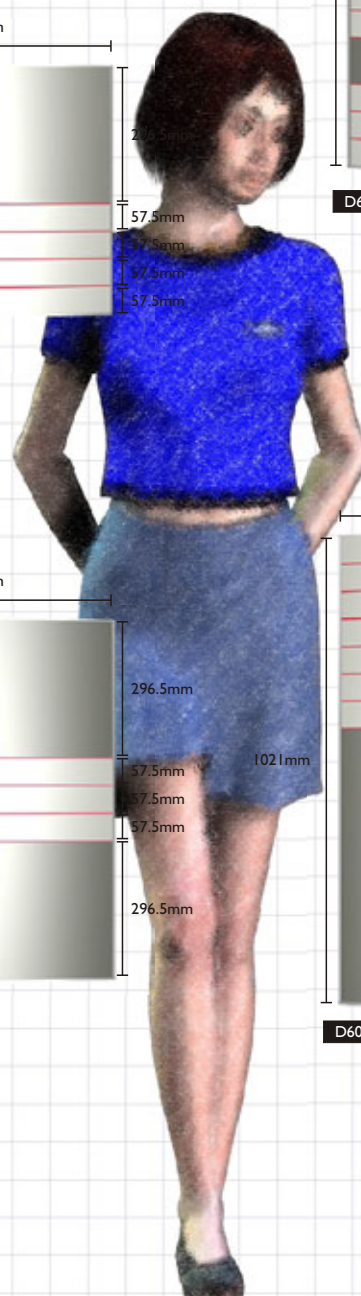
D600-5



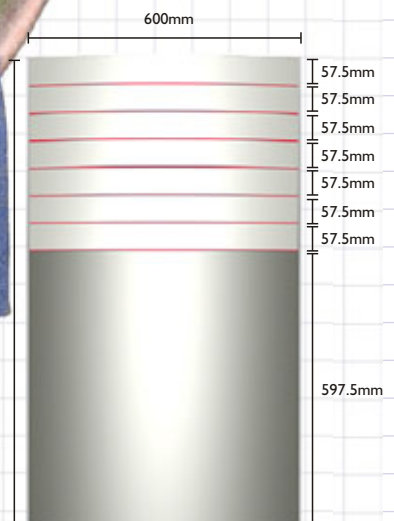
D600-3



D600-6



D600-8



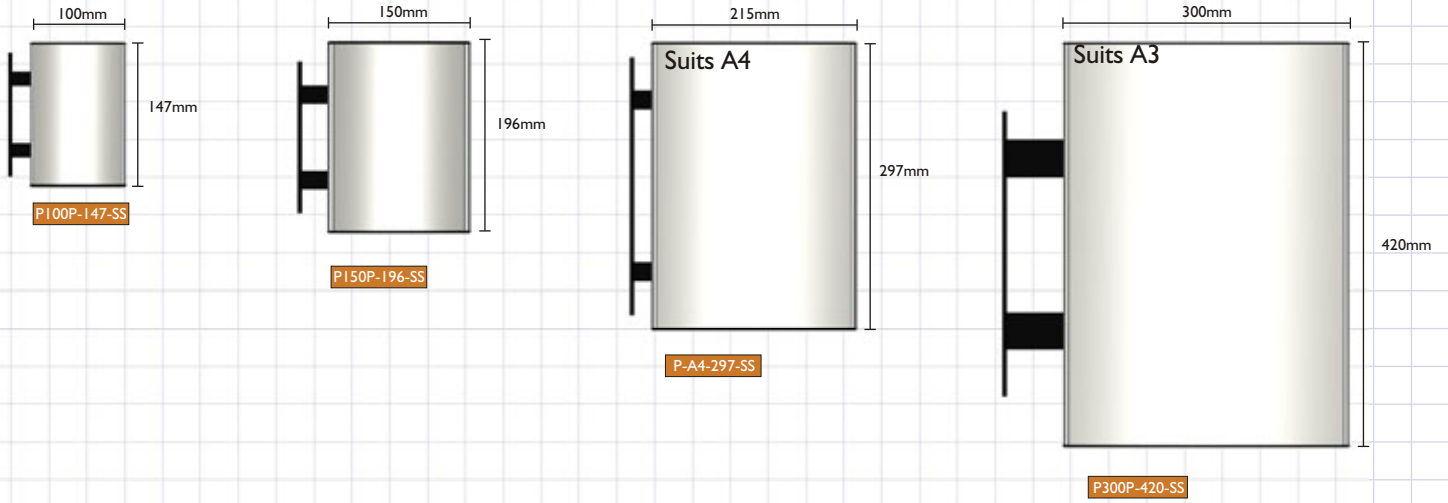
Standard finish for all signs - clear anodised aluminium.

Divider Strip - standard colour - Black
Other colours available at no extra cost:
Blue, Grey, Red, Yellow (please specify when ordering.)

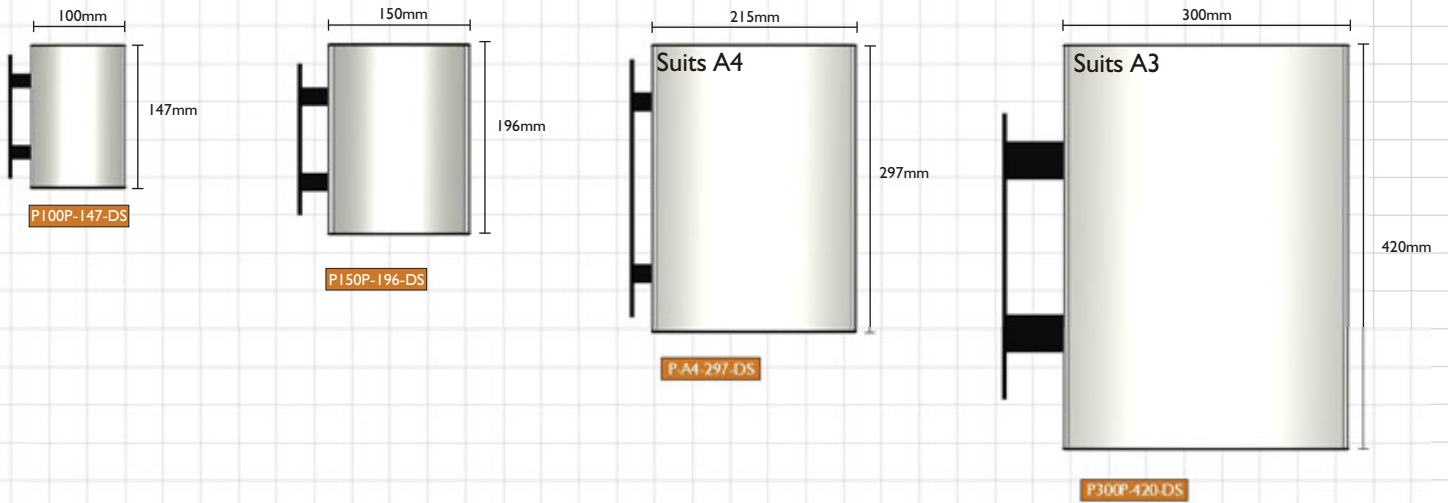
Bespoke sizes available.

Projecting (Portrait)

SINGLE SIDED

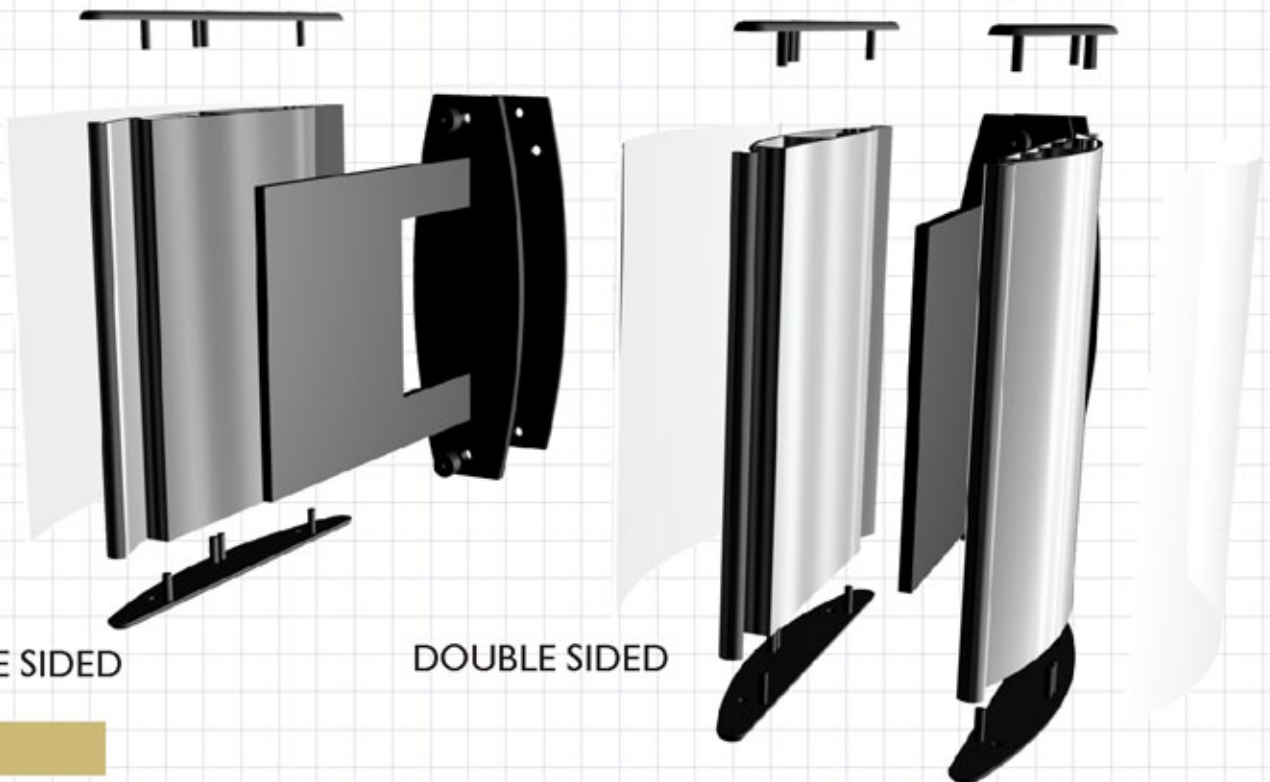


DOUBLE SIDED



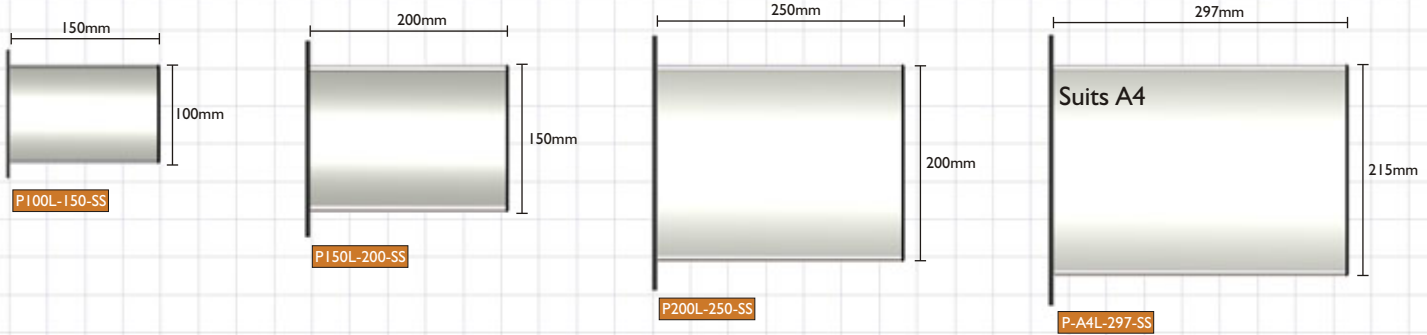
SINGLE SIDED

DOUBLE SIDED

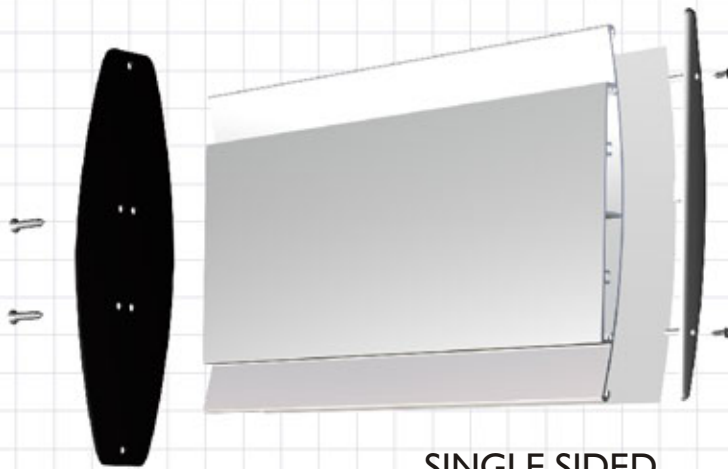
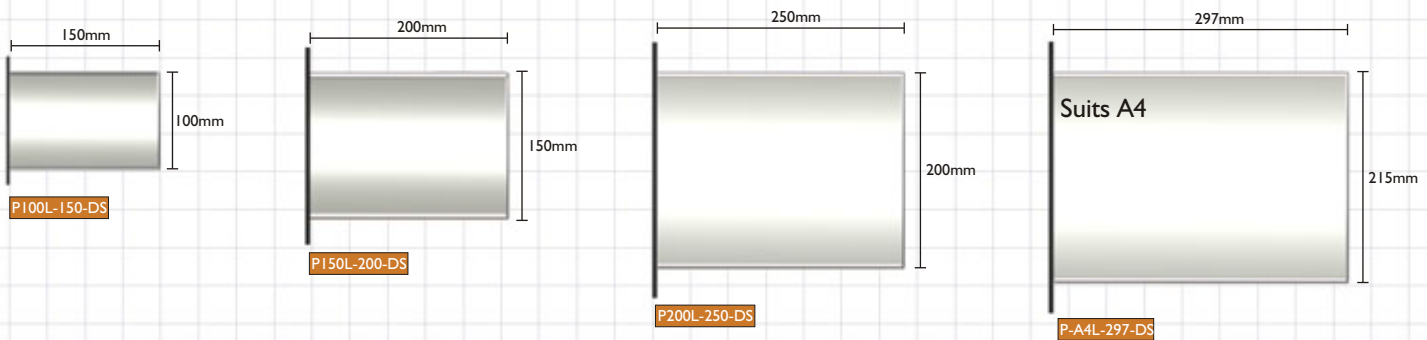


Projecting (Landscape)

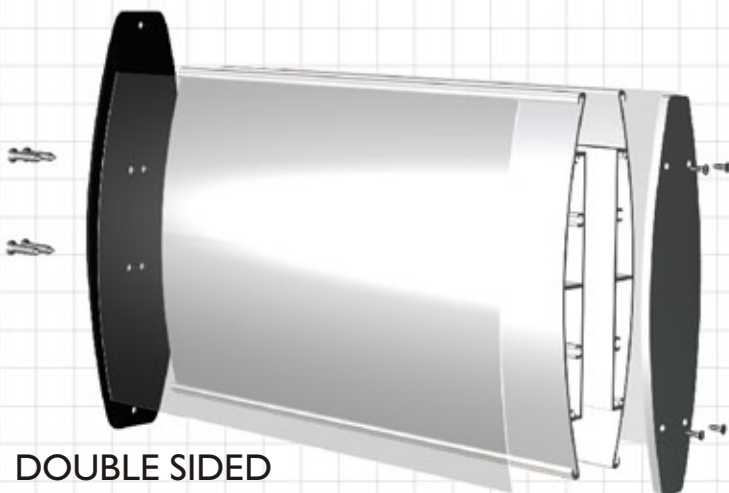
SINGLE SIDED



DOUBLE SIDED



SINGLE SIDED



DOUBLE SIDED

The signs on these pages accept a one-piece clear cover which has an anti-glare finish on one side to reduce reflection. This cover can be reversed if required.

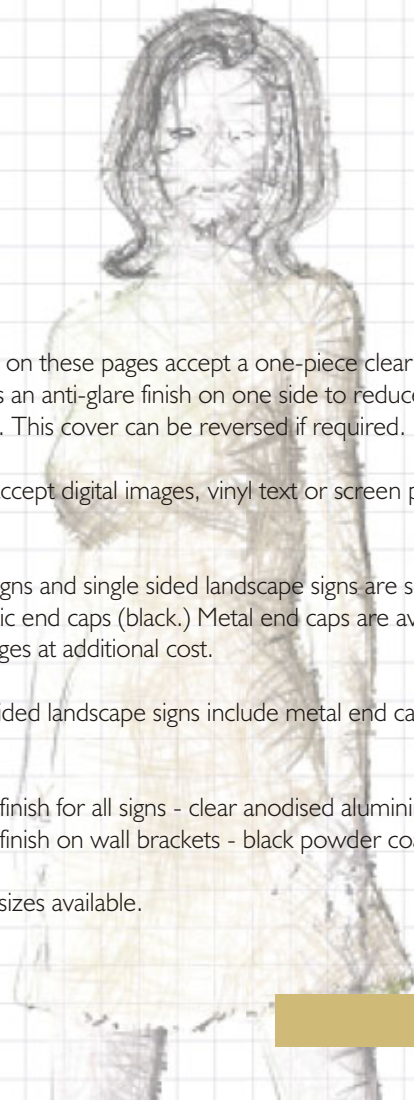
All signs accept digital images, vinyl text or screen printed inserts.

Portrait signs and single sided landscape signs are supplied with plastic end caps (black.) Metal end caps are available for these ranges at additional cost.

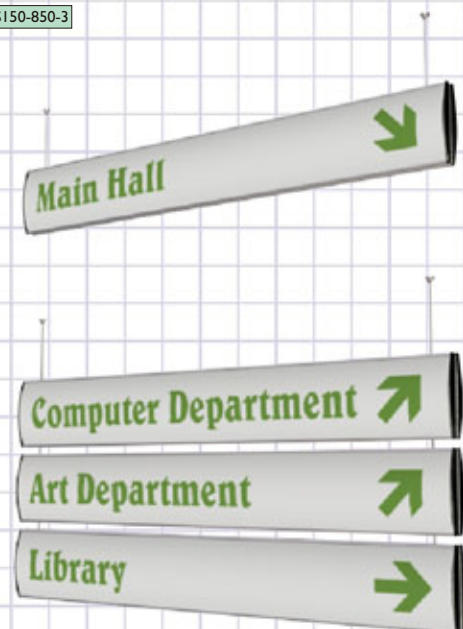
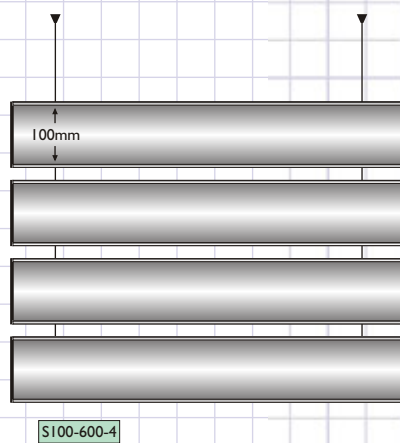
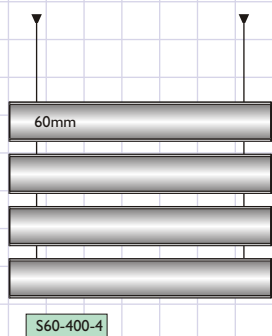
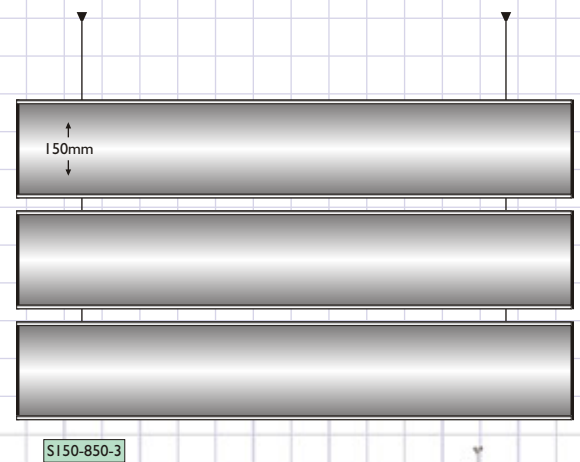
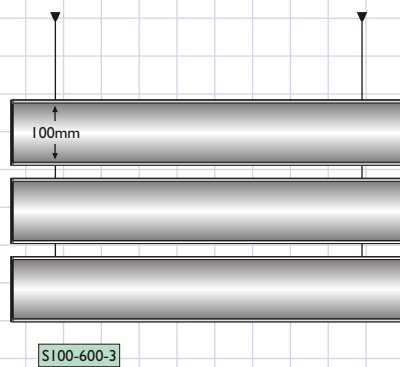
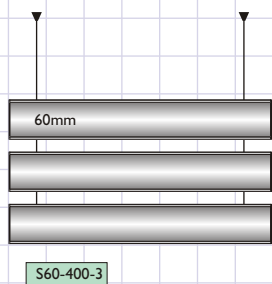
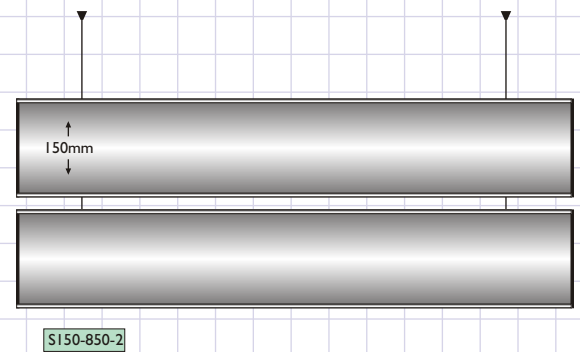
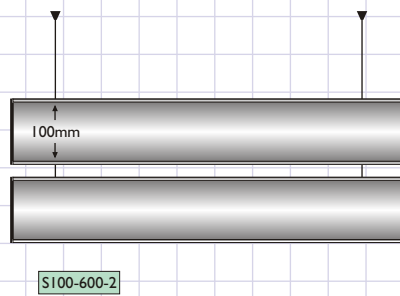
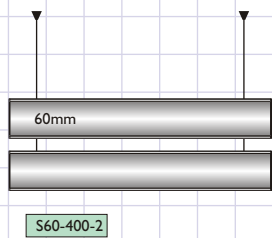
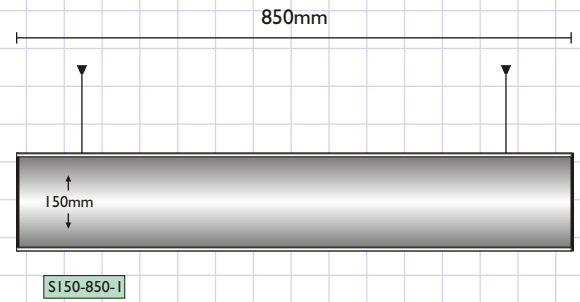
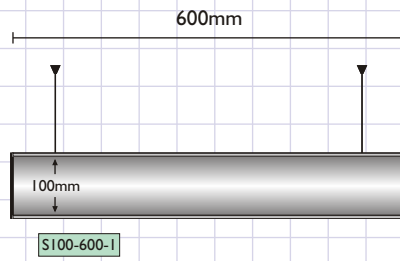
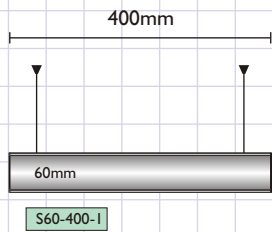
Double sided landscape signs include metal end caps as standard.

Standard finish for all signs - clear anodised aluminium. Standard finish on wall brackets - black powder coated

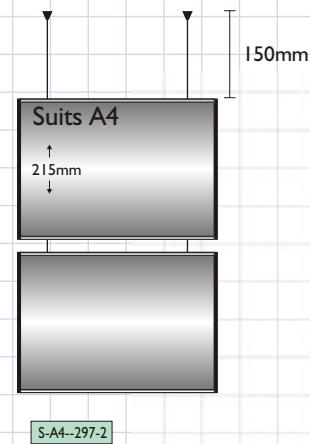
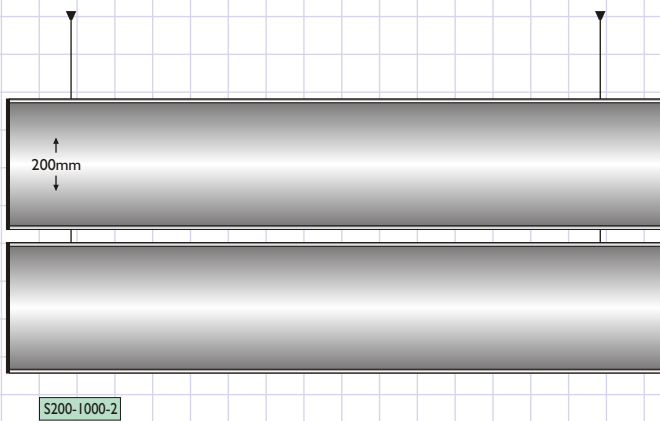
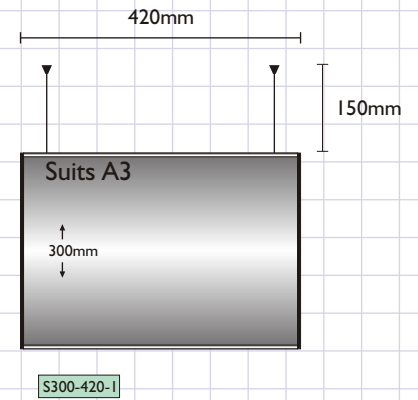
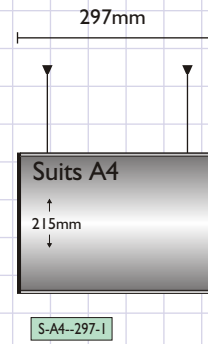
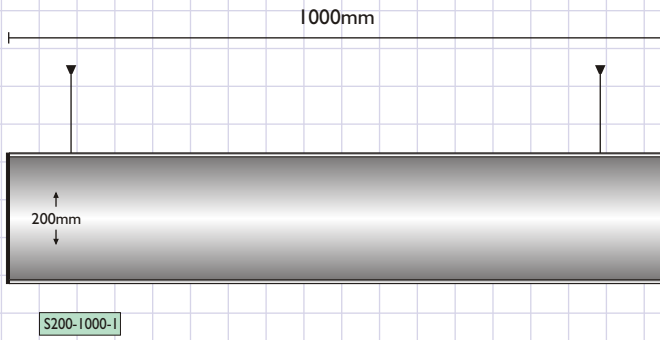
Bespoke sizes available.



Suspended



Suspended



All the signs on these pages accept a one-piece clear cover which has an anti-glare finish on one side to reduce reflection. This cover can be reversed if required.

All signs accept digital images, vinyl text or screen printed inserts.

All suspended signs are double sided.

These signs include plastic end caps as standard (black.) Metal end caps are available at additional cost.

Standard Cable lengths:	One Level	0.80m (x2)
	Two levels	1.00m (x2)
	Three levels	1.25m (x2)
	Four levels	1.25m (x2)

Longer cables are available if required.

Standard finish for all signs - clear anodised aluminium.

Bespoke sizes available.

! CARE SHOULD BE TAKEN IN THE SELECTION OF LOCATION FOR ANY HANGING SIGN WITH DUE CONSIDERATION TO HEAD CLEARANCE, EXCESSIVE WIND FLOW AND CEILING STRENGTH.



IMAGE DISPLAY

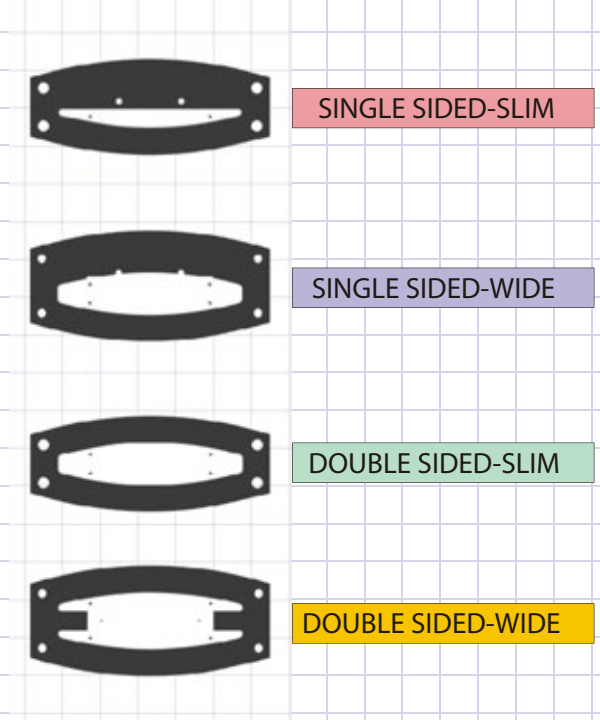
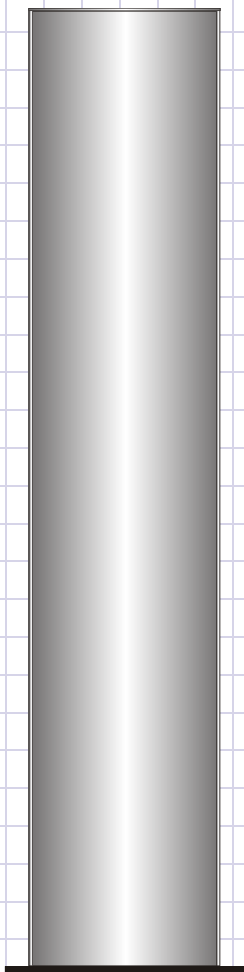
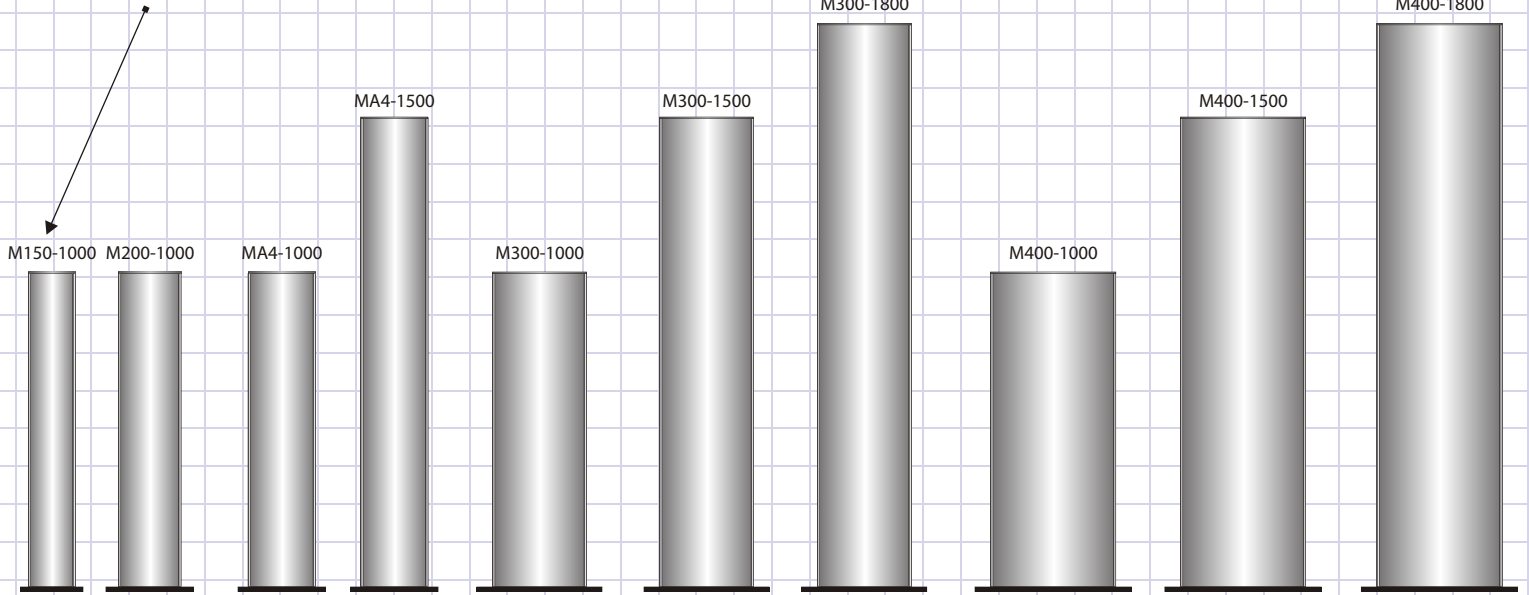
CODE BREAKDOWN

MONOLITH

WIDTH

HEIGHT

M150-1000



For Quotes and Info email us at:
sales@imagedisplay.co.uk
www.imagedisplay.co.uk

Monolith

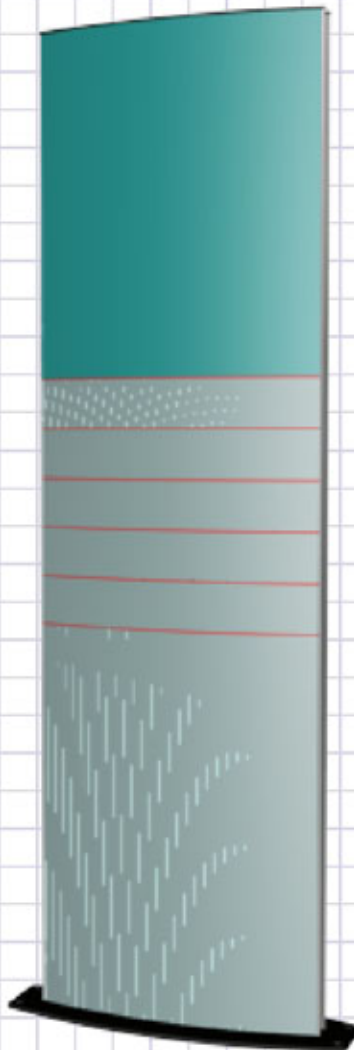
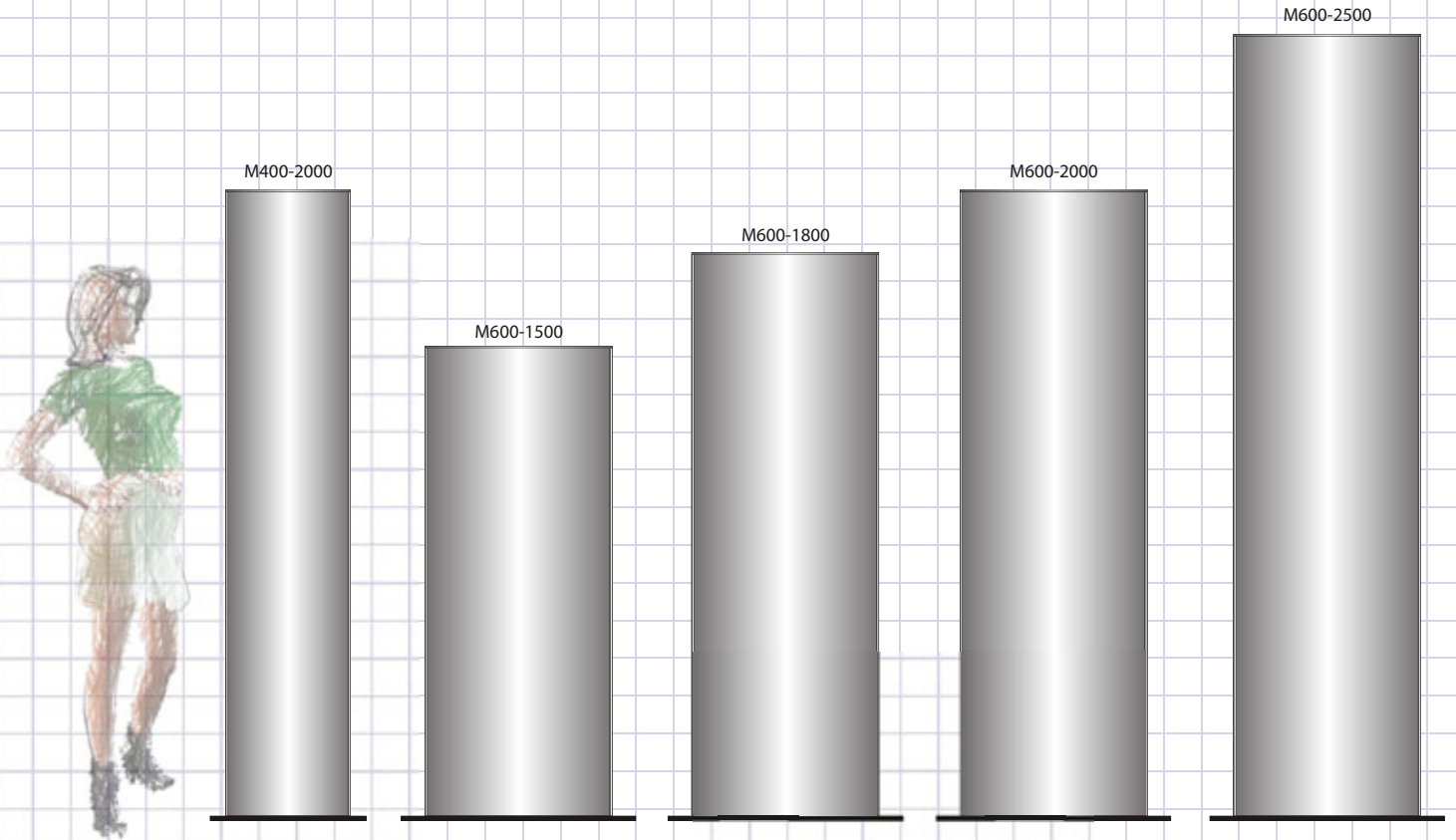


IMAGE DISPLAY

DESIGN - SIGNS & PRINT - PROMOTIONAL - EXHIBITION

For Quotes and Info email us at:

sales@imagedisplay.co.uk

www.imagedisplay.co.uk