



# IMAGE DISPLAY

## Posts (Aluminium & Steel)

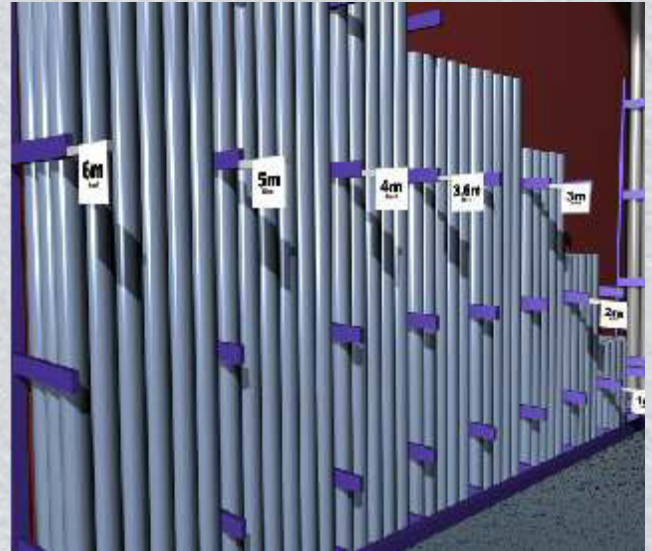
Steel posts are finished as in a textured grey plastic coating and are generally used for industrial applications such as highway signs, and where larger panels are to be used.

Aluminium Posts have a smoother more polished finish and are more frequently used where appearance is of greater importance.

Standard finishes are grey plastic coating for steel posts, and grey powder coated for aluminium. Please note when ordering steel posts, that these are generally three times heavier than aluminium.

Aluminium signposts are available in most standard RAL or BS Colours

Most sizes of aluminium and steel posts up to 6m long are available from stock same day despatch.



Caps for Steel Posts



Caps for Aluminium Posts

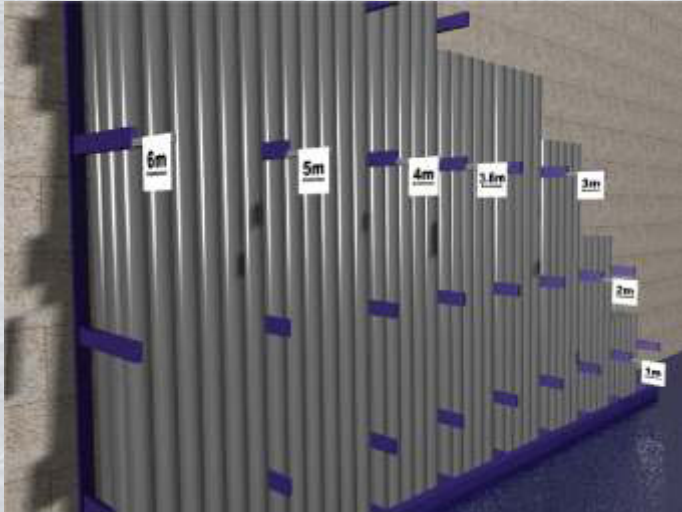
### Round (Steel Posts)

Diameter in millimetres

	50	76	89	114	140	168	194	219	244	273
1.00	✓	✓								
1.50	✓	✓								
1.66	✓	✓								
2.00	✓	✓								
2.50	✓	✓								
3.00	✓	✓								
3.60	✓	✓								
4.00		✓	✓	✓						
4.50			✓	✓						
5.00	✓	✓	✓	✓						
6.00	✓	✓	✓	✓	✓	✓	✓	✓	✓	✓

Next day despatch  
 7/10 Days

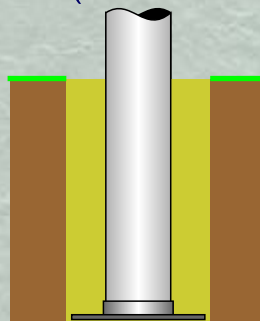
# Posts (Aluminium & Steel)



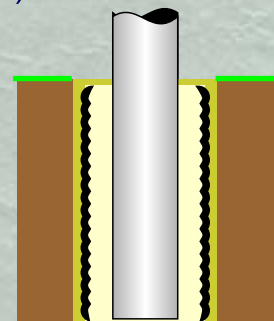
We strongly recommend the use of below ground base plates when installing signposts. These prevent the rotation or removal of the posts after the concrete has set (see illustration below.)

Sometimes it is easier to cast a concrete foundation without supporting the weight of the post

It can also be an advantage to undertake the groundwork before taking signposts to site. In these instances it can be particularly useful to use foundation sleeves. These ribbed plastic sleeves can be pre-cast into concrete foundations allowing signposts to be light cast or sand filled at a later date (see illustration below).



Baseplate



Foundation Sleeve

Baseplate



Foundation Sleeve

## Aluminium Posts

### Round

Diameter in millimetres

	50	76	89	114
1.00	✓	✓		
1.50	✓	✓		
1.66	✓	✓		
2.00	✓	✓		
2.50	✓	✓		
3.00	✓	✓	✓	✓
3.60	✓	✓		
4.00	✓	✓		
4.50	✓	✓		
5.00	✓	✓		
6.00	✓	✓	✓	✓

### Square

	50	75	100
1.00	✓		
1.50	✓		
1.66	✓		
2.00	✓		
2.50	✓	✓	
3.00	✓		✓
3.60	✓		
4.00	✓		
4.50	✓		
5.00	✓	✓	
6.00	✓		✓

Available length in metres



# IMAGE DISPLAY

# Post Clips

**Clips comply to BS873 Pt 6 & 7**

## 'D' Clips

2-bolt stainless steel D clips for attaching sign panels with clip extrusion to small tubes, railing, chain link fencing, concrete roof supports etc.

## Standard Clips

High quality, very strong, single bolt, stainless steel clips for attaching sign panels to posts. (also available in grey and black).

## Large Clips

High quality, very strong, 2 bolt, stainless steel clips for fixing sign blanks to larger diameter posts.

All clips are supplied with stainless steel nuts, bolts and washers, which slide into the rear of the clip extrusion. When the clip is positioned around the post and tightened the sign panel is firmly located against the post. All clips have standard nuts to suit **13mm** spanner.

No minimum quantities apply when buying clips and quantity discounts are available.



### Round (clips)

Sizes in millimetres

Size	Standard	Large
50	✓	
76	✓	
89	✓	
102	✓	
114	✓	
127		✓
140		✓
168		✓
194		✓
219		✓
244		✓
273		✓

### D (clips)

Sizes in millimetres

Size	
12	✓
16	✓
19	✓
25	✓

### Square (clips)

Sizes in millimetres

Size	
50	✓
75	✓
80	✓
100	✓

## Lightweight Clips (not illustrated)

A low cost clip used for lightweight applications (Does not conform to BS.)





# IMAGE DISPLAY

sales@imagedisplay.co.uk  
www.imagedisplay.co.uk

# Sign Fixings



One of the most common difficulties when undertaking installation is finding a suitable and secure way of fixing signs in unusual places. When a standard clip is not suitable there are still options that can be safely used.

## Screw Banding

Screw banding is similar to the principle of a jubilee clip, supplied in standard lengths of 24" & 36" (larger sizes available on request). Screw banding is then used in conjunction with various types of channel clamp to secure the sign.

A flat blade screwdriver is the only tool necessary to fit screwbands.

## Stainless Steel Banding

Stainless steel banding is generally used where a greater level of strength or security is required. Stainless steel banding works on the same principal as screw banding but requires a bespoke tool to tighten and cut the banding. (Channel clamps and buckles are also required). Banding can also be a more cost-effective method of installation where a large number of signs are to be fitted.

Banding is available in two widths **13 & 19mm**, both are standard to the same banding tool. Buckles are supplied in quantities of 100 and banding in 30 metre rolls.

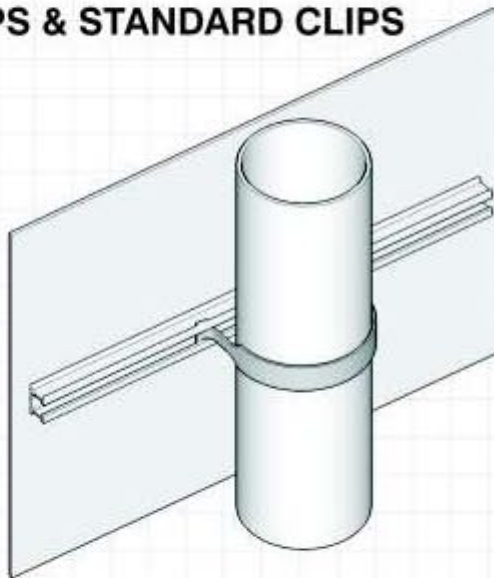
Although screwbanding and stainless steel banding are generally a more expensive method of fixing than standard clips they have the advantage that once on your fitting vehicle you will be prepared for almost any odd or unusual fitting problem.



# IMAGE DISPLAY

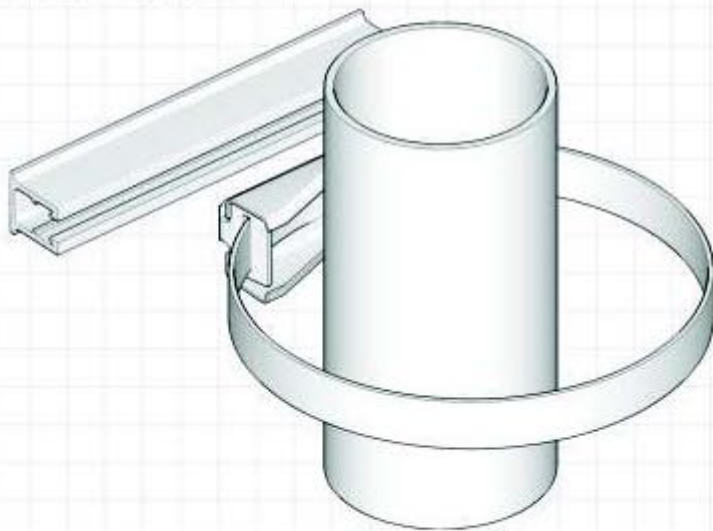
FINIALS & CLIPS

## 'D' CLIPS & STANDARD CLIPS



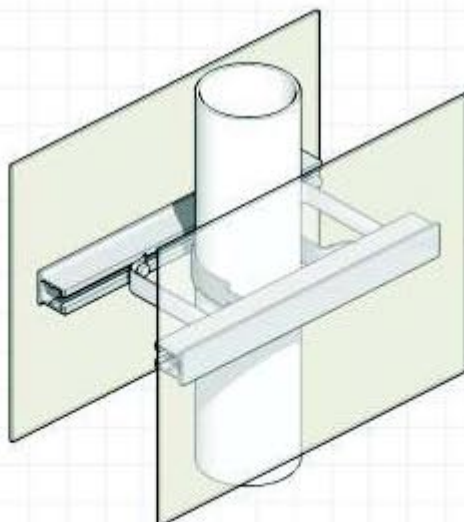
Mini 'D' clips	'D' clips	2 bolt clips
13mm	50mm	168mm
16mm	60mm	194mm
19mm	76mm	219mm
25mm	89mm	244mm
32mm	102mm	273mm
35mm	114mm	
40mm	127mm	
	140mm	

## SCREW BANDING



Comes in two sizes.  
 Banding tools are also available  
 24"  
 36"

## BACK TO BACK CLIPS



'D' clips	2 bolt clips
50mm	168mm
60mm	194mm
76mm	219mm
89mm	244mm
102mm	273mm
114mm	
127mm	
140mm	

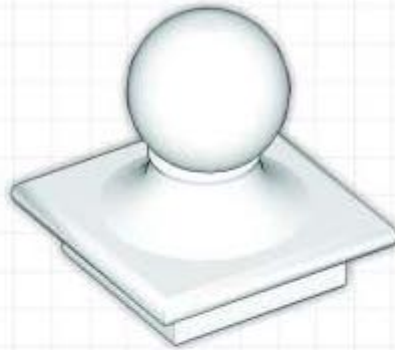


# IMAGE DISPLAY

Available in a variety of designs and sizes.  
Powder coated to any standard RAL or BS colour.



**ROUND BALL (50mm)\***

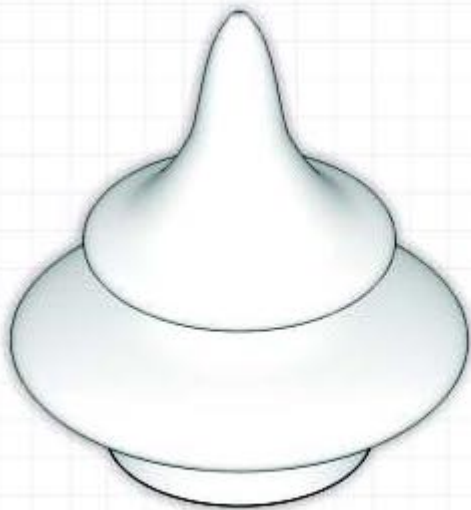


**SQUARE BALL (50x50mm)\***



**DOME (76mm)**

\*Round and square ball finials available for all our stock round and square posts.



**GOTHIC (76mm)**



**ALPINE (76mm)**



**BASE EMBLISHER (76mm)**





# IMAGE DISPLAY

[sales@imagedisplay.co.uk](mailto:sales@imagedisplay.co.uk)

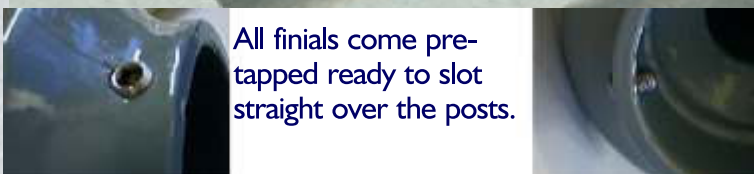
[www.imagedisplay.co.uk](http://www.imagedisplay.co.uk)

## Finials

The finishing touch to any Post Mounted sign is one of our very popular ball finials, available for **50, 76, 89, 114, 140 & 168mm** diameter round posts and **50x50, 75x75 & 100x100mm** square posts.

Manufactured in cast aluminium, finials are available mill finish or grey painted and come complete with pre-drilled allen key grub screws ready to attach to the post.

Finials can also be supplied powder-coated to most RAL or BS colours.



All finials come pre-tapped ready to slot straight over the posts.

The above pictures illustrate both our original sand-cast range and the new mould injected finial.